



# PL60

Measures Distance, Area, and Volume

A one-person measuring tool for distances up to 60m

Level bubble:  
use to minimize  
tangent errors  
when measuring  
from uneven  
surface

Measure from  
front or back



Volume  
(cubic ft.)



Backlit display

**Choose:**

- 0.00 ft.
- 1/16"
- .0 in.
- .000m



Swivel stand  
for vertical  
measurement



Sight line for easy aiming



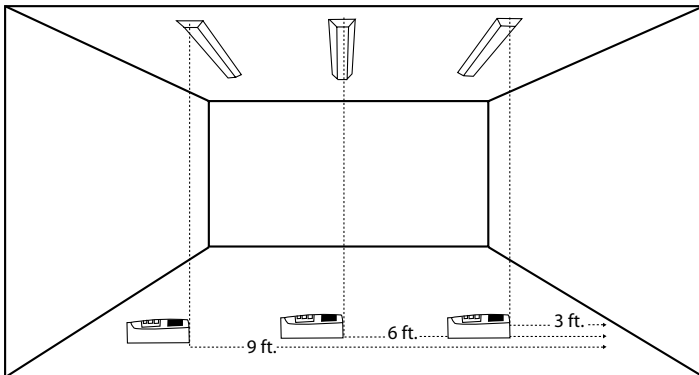
Marking point



Free-standing base for  
vertical measurements



"Wedge" shape for  
corner measurements



Stake out specific distances  
or use in tracking mode for  
continuous measurement

### Specifications

Range: 2.5" to 150 ft.

Accuracy: +/- 1/16"

Battery: 9V

Test the new PL60 on your job site today!